

CARNITAS MADE WITH ALL NATURAL* PORK

UP TO 8% SEASONING SOLUTION WITH JUICES

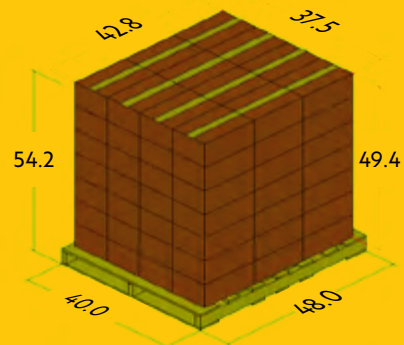


MADE WITH PORK
LOCALLY RAISED**
WITH NO ANTIBIOTICS
OR HORMONES***



- Flame-Grilled, Seasoned Pork Carnitas
- Serves up to 4 people
- Slow cooked to perfection
- Perfect with Tortillas, Tacos, Salads, or center-of-plate
- Refrigerator-to-Table in under 10 minutes

- **Shelf Life:** 60 days while maintained at 40° F or Below
- **Piece Weight:** 20 OZ
- **Case Size:** 6 packages per case
- **Pallet Configuration:** 12 cases per layer, 84 cases per pallet



Agostino
FOODS™

PLACE YOUR ORDER TODAY!

800-755-9840 • WWW.AGOSTINOFOODS.COM

CARNITAS MADE WITH ALL NATURAL* PORK

UP TO 8% SEASONING SOLUTION WITH JUICES



REHEATING INSTRUCTIONS

OVEN

- Preheat oven to 425°F.
- Remove from package and place in oven-safe pan.
- Heat for 10 minutes
- Remove from oven, with a fork or tongs, break carnitas up/shred
- Return to oven and heat until tips of the pork are golden brown

MICROWAVE

- Remove from package and place in microwave-safe pan.
- Heat for 5-7 minutes, stirring halfway through until hot.

*Note, heating times may vary based on microwave wattage.

INGREDIENTS: Pork, Marinade (Onions, Garlic, Brown Sugar, Orange Juice, Paprika, Garlic Powder, Onion Powder, Salt, Black Pepper, Oregano, Lime Juice, Cinnamon).

Nutrition Facts

4 servings per container	
Serving size	5oz (142g)
Amount per serving	
Calories	370
% Daily Value*	
Total Fat 24g	30%
Saturated Fat 9g	44%
TransFat 0g	
Cholesterol 130mg	43%
Sodium 400mg	18%
Total Carbohydrate 4g	1%
Dietary Fiber 1g	4%
Total Sugars 1g	
Includes 0g Added Sugars	0%
Protein 34g	
Vitamin D 1.6mcg	8%
Calcium 50mg	4%
Iron 2.8mg	15%
Potassium 460mg	10%

*The % Daily Values (DV) tells you how much a nutrient in a serving of food contributes to a daily diet. 2,000 calories a day is used for general nutrition advice.

WAYS TO ENJOY...

Spice up a boring salad or serve with nachos and tacos!



NET WT 20 OZ
(1.3 LB)

* No Artificial Ingredients.

** Born Raised and Harvested in the USA on local Farms in the Mid Atlantic (PA, NY & MD)

*** Pork Never Administered Antibiotics, Hormones or Growth Promotants Ever.

Fed a proprietary grain diet with no animal by-products.

SAFE HANDLING INSTRUCTIONS

This product was prepared from inspected and passed meat and/or poultry. Some food products may contain bacteria that could cause illness if the product is mishandled or cooked improperly. For your protection, follow these safe handling instructions.



Keep refrigerated.



Keep raw meat and poultry separate from other foods. Wash surfaces including cutting boards, utensils, and hands after touching meat or poultry.



Cook thoroughly.



Keep hot foods hot. Refrigerate leftover immediately or discard.



LEARN MORE



Agostino
FOODS™

PLACE YOUR ORDER TODAY!

800-755-9840 • WWW.AGOSTINOFOODS.COM